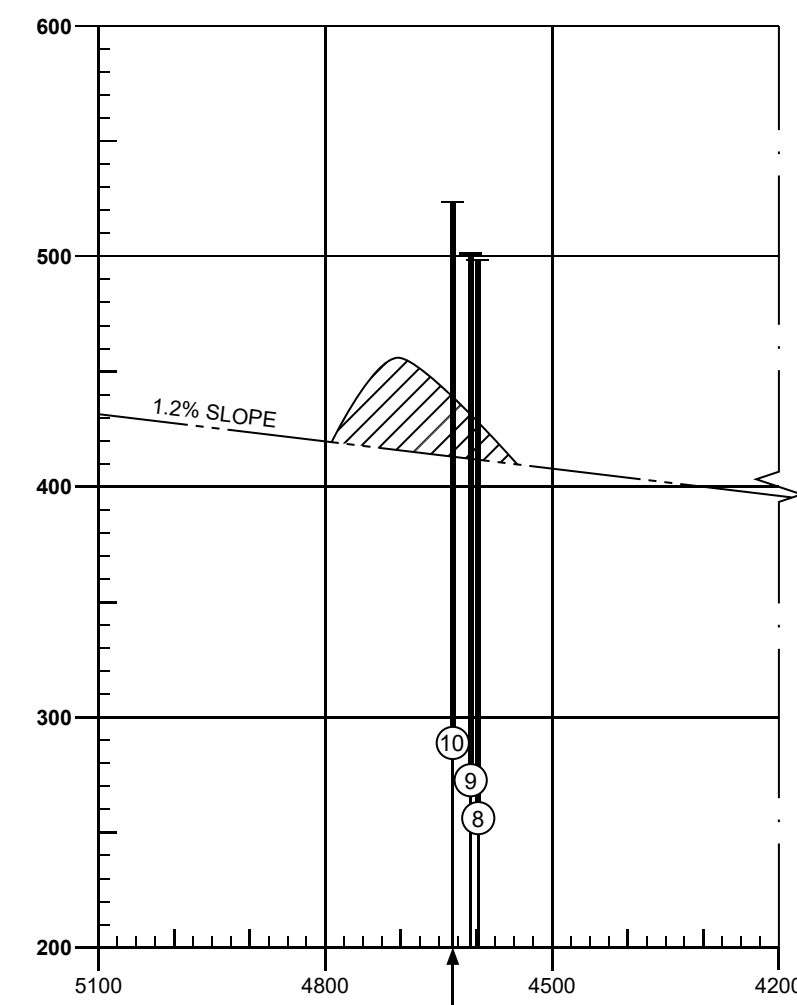


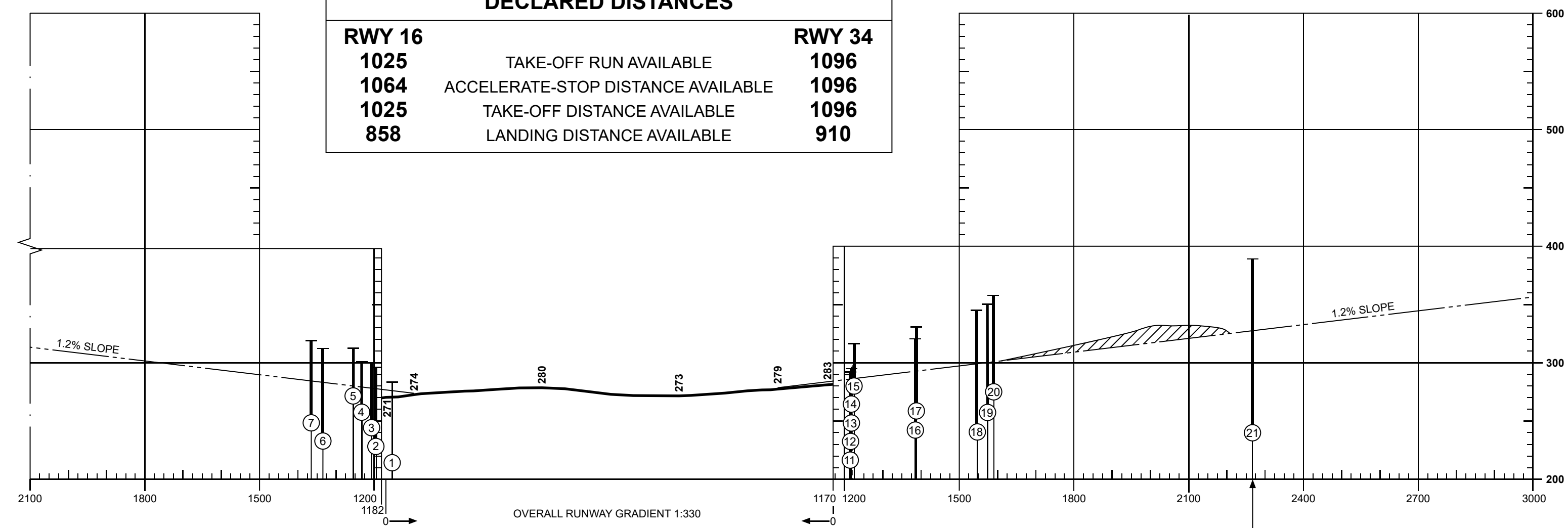
MAGNETIC VARIATION 0°W (2022)

RUNWAY 16-34

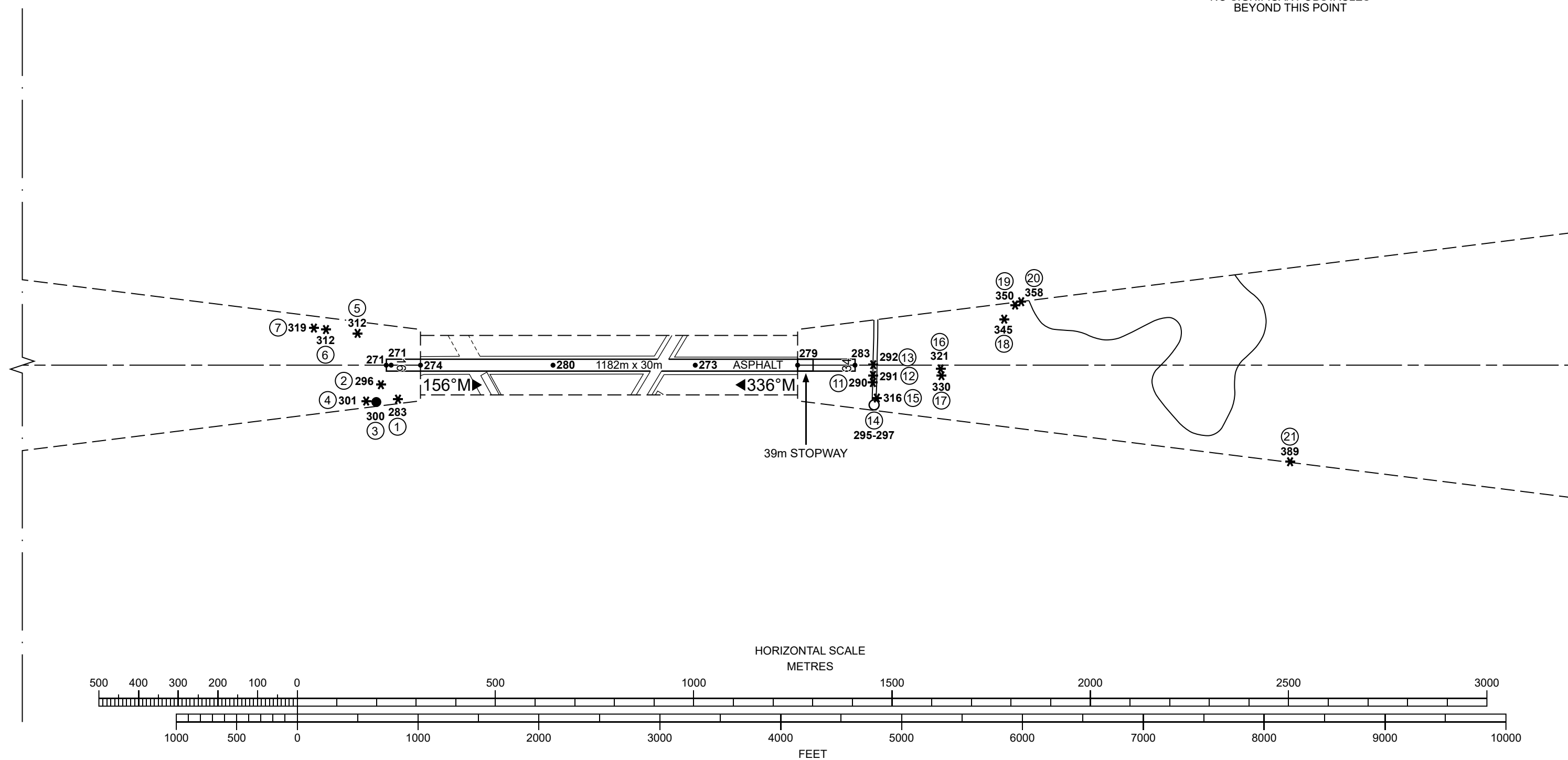
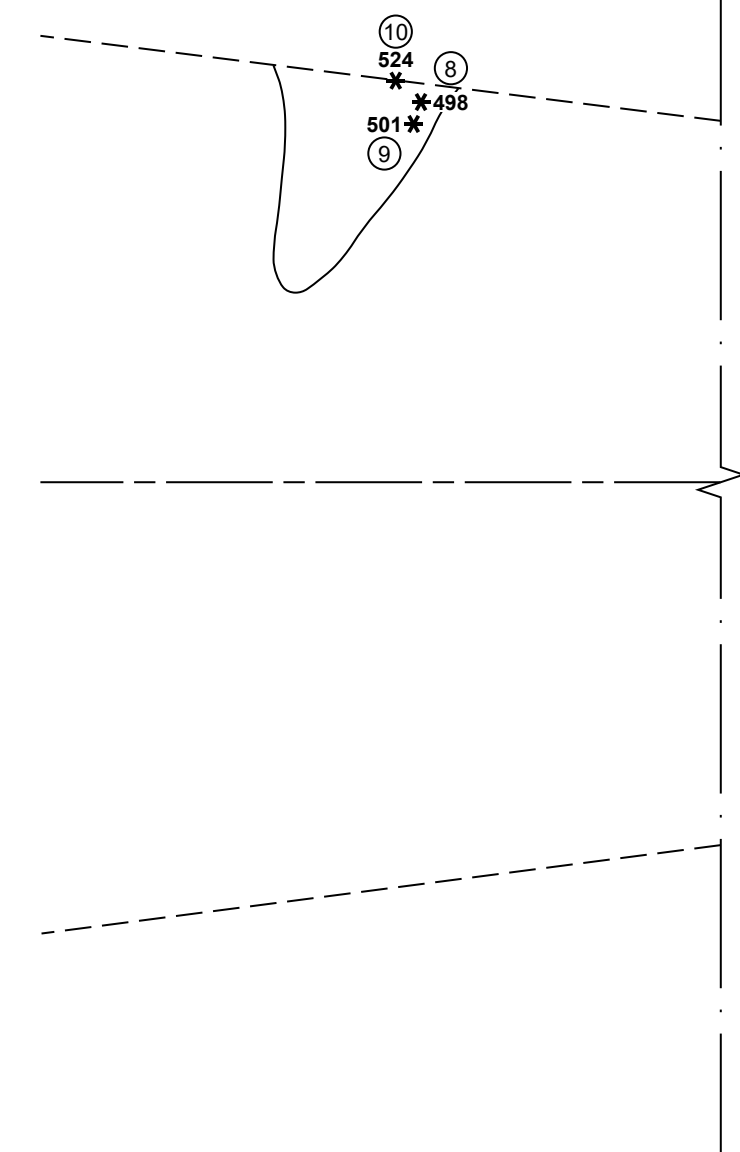
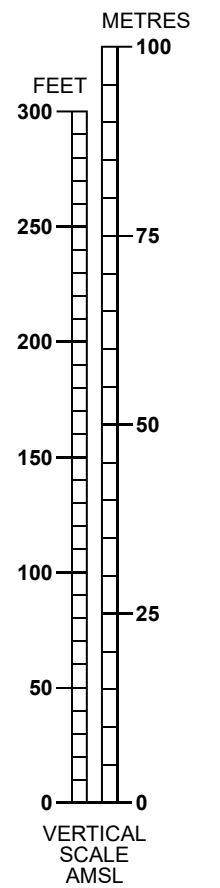
DECLARED DISTANCES		
RWY 16		RWY 34
1025	TAKE-OFF RUN AVAILABLE	1096
1064	ACCELERATE-STOP DISTANCE AVAILABLE	1096
1025	TAKE-OFF DISTANCE AVAILABLE	1096
858	LANDING DISTANCE AVAILABLE	910



NO SIGNIFICANT OBSTACLES BEYOND THIS POINT



NO SIGNIFICANT OBSTACLES BEYOND THIS POINT



Obstacle Number	Survey Number	Description	Latitude	Longitude	Altitude (M)	Altitude (ft)
1	6860	HEDGE	523118.03N	0021550.69W	86.38	283.40
2	7412	TREE	523119.77N	0021549.86W	89.65	294.13
2A	7413	TREE	523120.07N	0021549.89W	90.21	295.95
3	17	CHIMNEY	523119.54N	0021552.23W	91.49	300.16
4	7404	TREE	523120.32N	0021552.67W	91.77	301.08
5	7438	TREE	523123.22N	0021544.87W	95.22	312.40
6	5791	TREE	523125.70N	0021546.14W	95.24	312.46
7	7440	TREE	523126.65N	0021546.62W	97.24	319.03
8	110	TREE	523307.51N	0021637.07W	151.92	498.42
9	6129	TREE	523307.41N	0021638.68W	152.78	501.24
10	6132	TREE	523308.87N	0021636.42W	159.63	523.71

Obstacle Number	Survey Number	Description	Latitude	Longitude	Altitude (M)	Altitude (ft)
11	5540	HEDGE	523043.23N	0021522.66W	88.30	289.69
12	6054	HEDGE	523043.46N	0021521.77W	88.83	291.43
13	7035	HEDGE	523043.80N	0021520.46W	89.07	292.22
14A	1570	ROAD+4.8M	523042.39N	0021525.32W	89.88	294.88
14B	1569	ROAD+4.8M	523042.74N	0021523.98W	90.11	295.63
14C	1568	ROAD+4.8M	523042.99N	0021522.95W	90.25	296.09
14D	1567	ROAD+4.8M	523043.31N	0021521.70W	90.38	296.52
15	7492	TREE	523042.43N	0021524.32W	96.38	316.21
16	7024	TREE	523038.66N	0021517.29W	97.69	320.50
17	7483	TREE	523038.37N	0021518.09W	100.74	330.49
18	7468	TREE	523035.59N	0021507.74W	105.15	344.96
19	7463	TREE	523035.25N	0021505.42W	106.71	350.08
20	7464	TREE	523034.91N	0021504.68W	109.05	357.75
21	7485	TREE	523009.55N	0021509.48W	118.54	388.89

LEGEND		
	PLAN	PROFILE
IDENTIFICATION NUMBER	⑧	—
HEIGHT AMSL	498	—
POLE, TOWER, SPIRE, ANTENNA, ETC.	○	—
CHIMNEY	●	—
TREE, HEDGE, BUSH, ETC.	*	—
MOBILE OBSTACLE	—	—
TERRAIN PENETRATING OBSTACLE PLANE	—	—

ORDER OF ACCURACY: Horizontal 3m; Vertical 1ft
CHANGE: NEW SURVEY
 Aerodrome information current : JANUARY 2021
 Based on survey dated : JULY 2020
 Chart effective date : 22 FEBRUARY 2021

