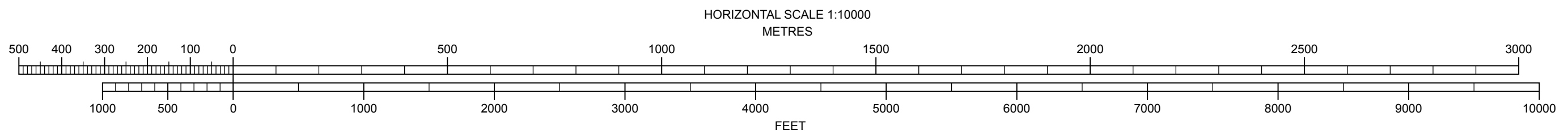
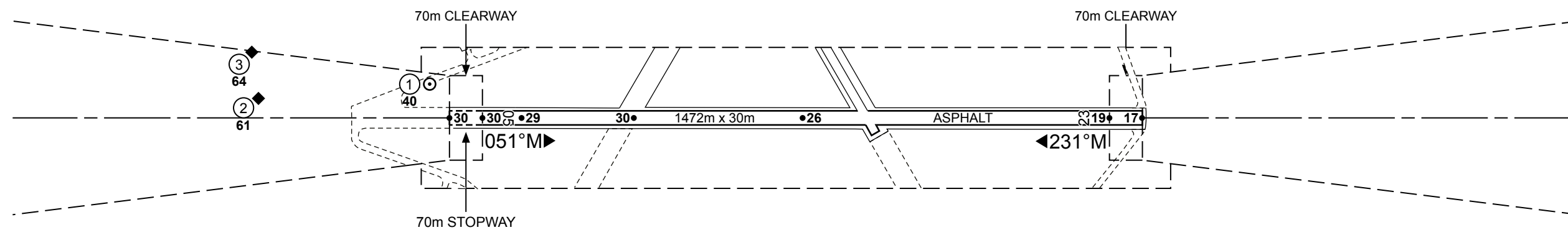
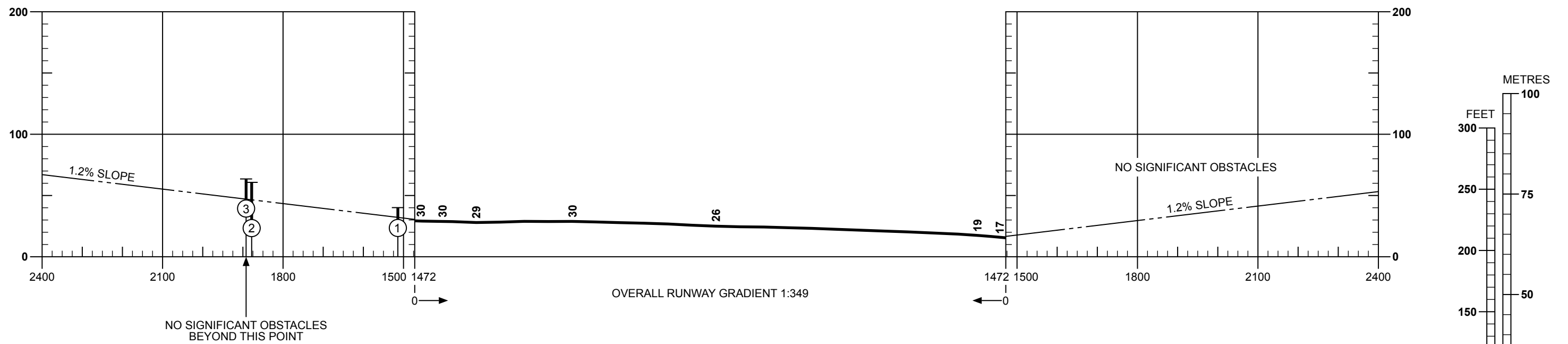


MAGNETIC VARIATION 4°W (2017)

RUNWAY 05-23

DECLARED DISTANCES		
RWY 05		RWY 23
1402	TAKE-OFF RUN AVAILABLE	1402
1402	ACCELERATE-STOP DISTANCE AVAILABLE	1472
1472	TAKE-OFF DISTANCE AVAILABLE	1472
1402	LANDING DISTANCE AVAILABLE	1350



LEGEND

	PLAN	PROFILE
IDENTIFICATION NUMBER	③	
HEIGHT AMSL	64	
POLE, TOWER, SPIRE, ANTENNA, ETC.	⊙	
BUILDING	◆	

ORDER OF ACCURACY: Horizontal 3m; Vertical 1ft
CHANGE: NEW SURVEY
Aerodrome information current : JUNE 2017
Based on survey dated : AUGUST 2016
Chart effective date : 05 JULY 2017

NATS



Civil Aviation Authority

