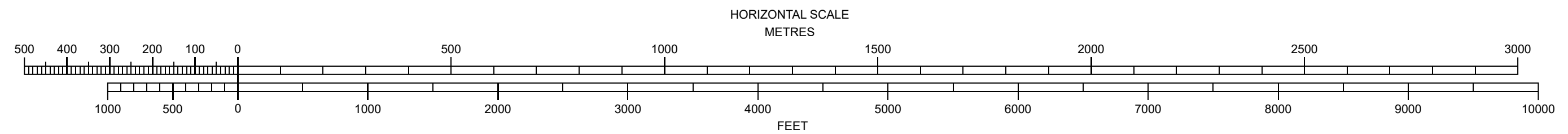
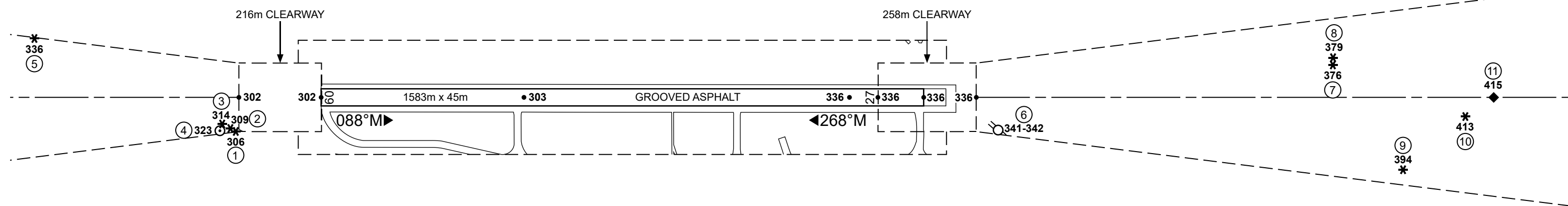
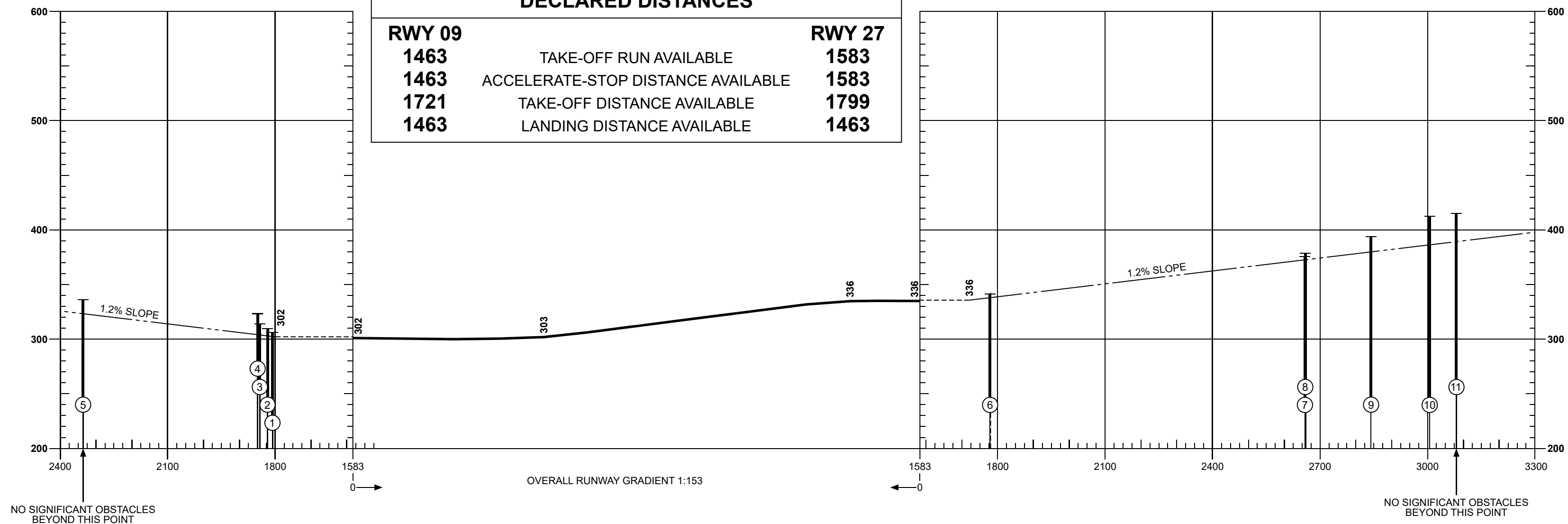


MAGNETIC VARIATION 0°E (2022)

RUNWAY 09-27

DECLARED DISTANCES		
RWY 09		RWY 27
1463	TAKE-OFF RUN AVAILABLE	1583
1463	ACCELERATE-STOP DISTANCE AVAILABLE	1583
1721	TAKE-OFF DISTANCE AVAILABLE	1799
1463	LANDING DISTANCE AVAILABLE	1463



LEGEND

	PLAN	PROFILE
IDENTIFICATION NUMBER	⑧	
HEIGHT AMSL	379	
BUILDING	◆	⑧
POLE, TOWER, SPIRE, ANTENNA, ETC.	⊙	
TREE	*	
MOBILE OBSTACLE	○	

ORDER OF ACCURACY: Horizontal 3m; Vertical 1ft

CHANGE: NEW SURVEY

Aerodrome information current : JULY 2020

Based on survey dated : APRIL 2019

Chart effective date : 23 JULY 2020

